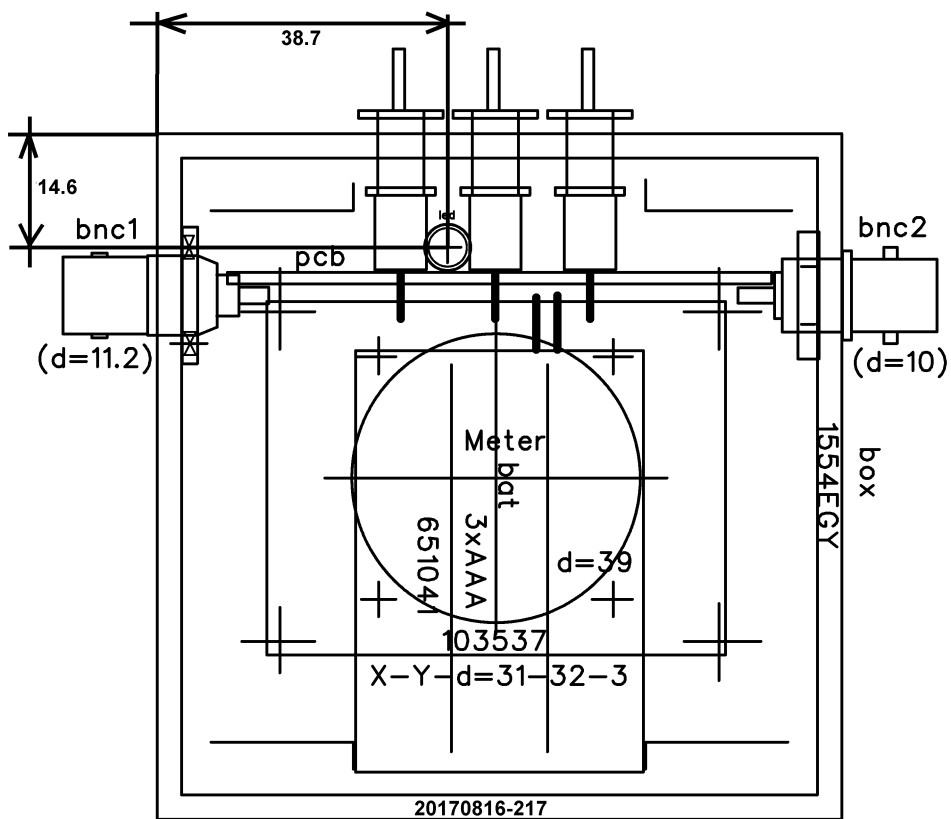


RflowPwrMeter. Pa0nhc 20171218.
 Drill sketch of front inside
 Print this PDF with Adobe reader at size 100%.



For easier installation of the PCB,
 the LED hole could be drilled into the top,
 and the switch holes as 6.2 mm,